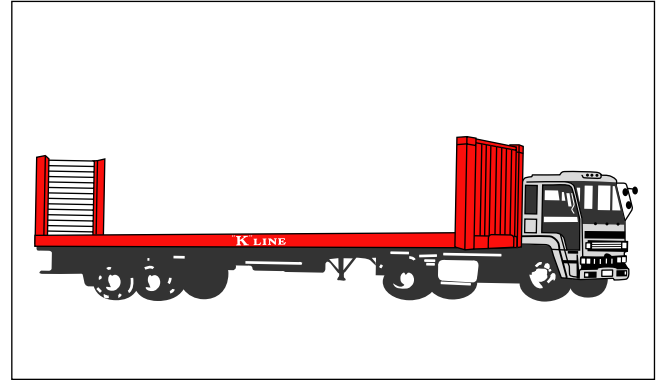
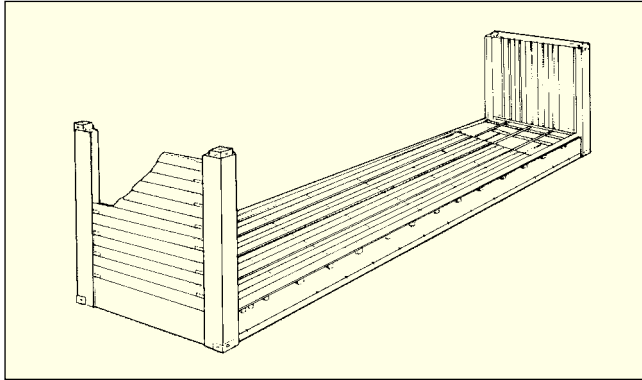


# 40' Flat Rack Containers



Height	Material	Tare Weight (kg/lbs)	Max* Cargo Cap. (kg/lbs)	Door Opening		Interior Dimensions			Interior Cube (m³/cft)
				Width (mm/ft)	Height (mm/ft)	Length (mm/ft)	Width (mm/ft)	Height (mm/ft)	
8'-6"	Steel	5,100	25,380	—	—	12,072	2,374	1,995	57.1
		11,244	55,953			39' 7"	7' 9"	6' 7"	

Remarks \* : Subject to road and rail weight limitations.  
 : Above are typical figures for this type of containers.